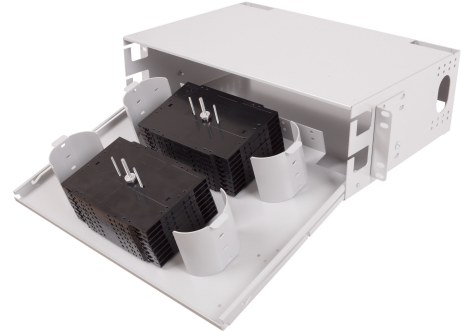


## OFDU-S Rack Mount Splice Cabinet

### Description:

The OFDU-S cabinet is based on universal optical distribution frames. The unified modular system enables easy reconfiguration and can be extended according to operator requirements. The OFDU-S provides splicing, storage and protection of up to 288 (576) fiber splices in individually accessible trays. The slide-out and swing down shelf enables unrestricted front, rear and top access to the splicing area. Various types of splice trays can be used.



### Features:

- Splicing of up to 288 (576) fibers in one cabinet
- Slide-out and drop down shelf
- Aluminum material - low weight and shipment costs
- Bend radius protection enables management and rearrangement of cable slack
- Accepts standard splice trays
- Removable top provides unrestricted access to splice tray and fiber connections
- Cable strain-relief hardware provided
- Durable powder coat finish - RAL 9006

### Specifications:

PART NUMBER	FIBER CAPACITY		RACK UNITS	DIMENSIONS (HxWxD) mm	SHIP WGT (kg)
	EQUIPMENT	CAPACITY			
OFDU-S2-V1	6 splice cassettes	72 (144*)	2U	88 x 432 x 305	1.4
OFDU-S2-V2	2 x 6 splice cassettes	144 (288*)			
OFDU-S3-V1	12 splice cassettes	144 (288*)	3U	133 x 432 x 305	1.

Note:

V1 - variant: contains one cassette holder and one pair of BRP reels

V2 - variant: contains two cassette holders and two pairs of BRP reels

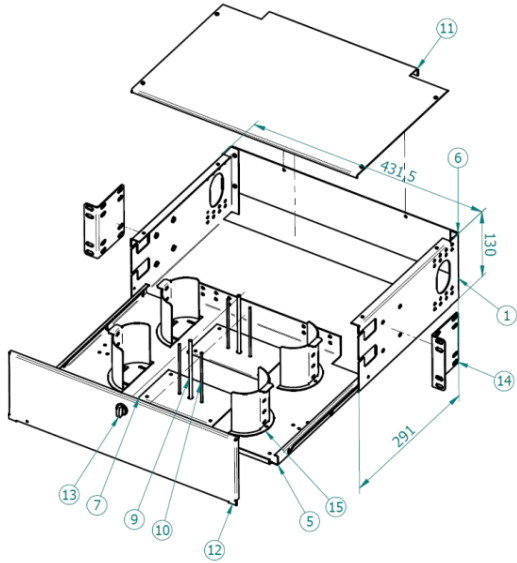
\* - In each splicing cassette will be 24 splices as opposed to standard 12 (if we use slimmer splice protections P-B-40 so we can place two splices to one groove in the splice holder KNS-SH-D)

### Cassette montage:

HINGED

first cassette is mounted to cassette holder by screws, next cassettes can be browsed by using hinges





- 1 OFDU-BU-X base unit
- 5 OFDU-SS sliding shelf
- 6 OFDU-RC-X rear cover
- 7-10 OFDU-CH-X cassette holder
- 11 OFDU-TC top cover
- 12 OFDU-DM-X front door metal (plexi)
- 13 Key lock / latch
- 14 UH-X unit holder
- 15 BRP reel

**Ordering code:**

**OFDU-SX<sup>1</sup>**

**- VX -**

**XX -**

**XX**

**Version, rack units**

**OFDU-S2** 2U

**OFDU-S3** 3U

**Variant, number of holders**

**V1** - 1x cassette holder, 1x BRP

**V2** - 2x cassette holder, 2x BRP

**Front door option**

**LM** Metal door - lock

**ZM** Metal door - latch

**LP** Plexi door - lock

**ZP** Plexi door - latch

**Number of splice cassettes<sup>2,3</sup>**

**01-24** Number of cassettes

- Note: 1) OFDU-S2: max. 12 splice cassettes: one holder for 6 or two holders for 12 splice cassettes  
 OFDU-S3: max. 24 splice cassettes: one holder for 12 or two holders for 24 splice cassettes  
 2) Cassette type KNS-12M (necessary in V2 variant) (datasheet CMS\_01-09\_KNS Splice\_trays)  
 3) Maximal capacity - 24x cassette are available only with latch



Key lock



Latch



Plexi door with latch



Frame closed with metal door and key lock